



ABN 89010806774

PTY LTD

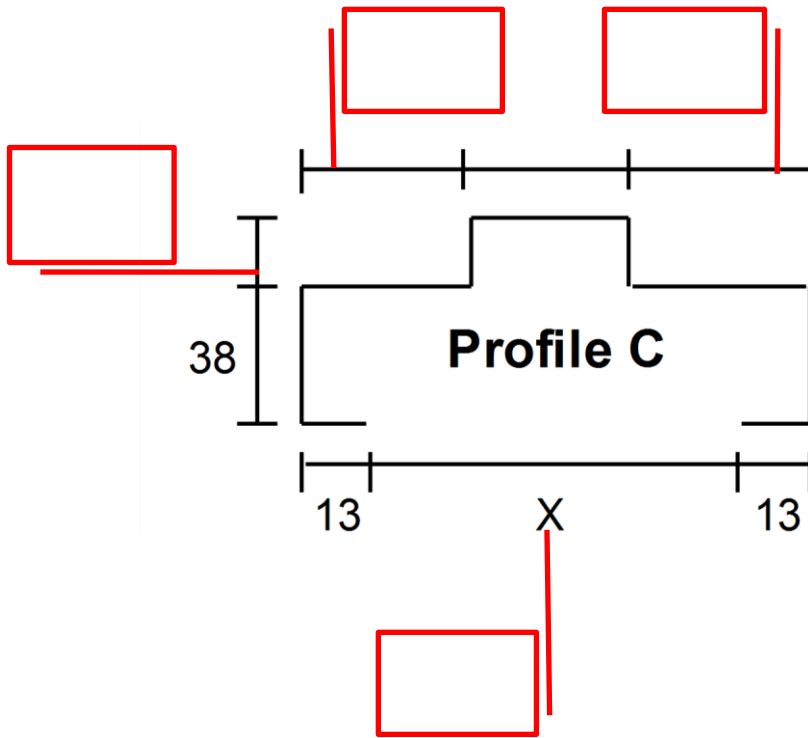
48 PENTEX STREET, SALISBURY, QLD, 4107

TELEPHONE: +61 7 3277 3200 FAX: +61 7 3277 3578 EMAIL: sales@firemex.com.au

Metal Steel Door Frame Order Form

COMPANY	
CONTACT	
TELEPHONE #	
EMAIL	
DELIVERY ADDRESS:	
DELIVERY DATE:	

Please write in your measurements in the boxes provided



WALL TYPE (Please circle)	HANDING	QUANTITIES REQUIRED
<p>WIRE TIES</p> <p>STRAP</p> <p>PRE-CAST</p>	<p>L.H.Hinge R.H. Hinge</p>	<p>L.H Hinged _____</p> <p>R.H.Hinged _____</p>

Please fax +61 7 3277 3200 or email sales@firemex.com.au this order sheet. Once received one of our Estimators will be in contact with you.